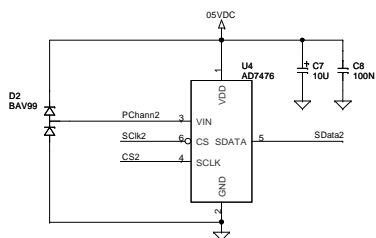
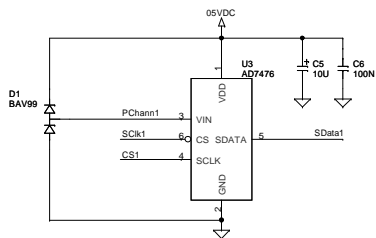
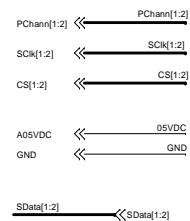


G & A Engineering s.r.l.			
Title UGBC - IO INOUT			
Size A3	Document Number 28305101A34ELTD	Rev D	
Date: Friday, March 31, 2006	Sheet 2	of 11	



G & A Engineering s.r.l.		
Title UGBC - AD-6		
Size A3	Document Number 28305101A34ELTD	Rev D
Date: Friday, March 31, 2006	Sheet 3 of 11	

5

4

3

2

1

D

D

C

C

B

B

A

A

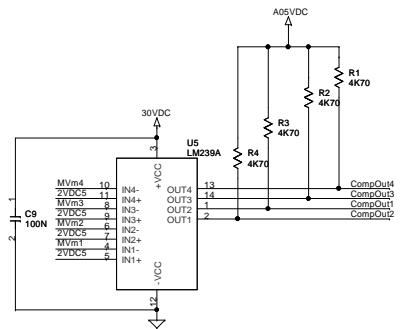
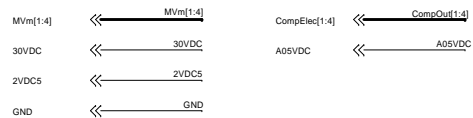
5

4

3

2

1



G & A Engineering		
Title UGBC - COMPARATORE		
Size A3	Document Number 28305101A34ELTD	Rev D
Date: Friday, March 31, 2006	Sheet 4 of 11	

5

4

3

2

1

D

D

C

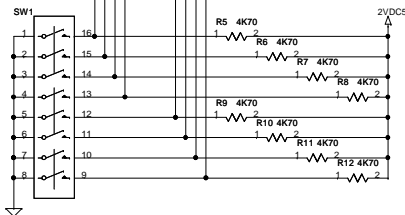
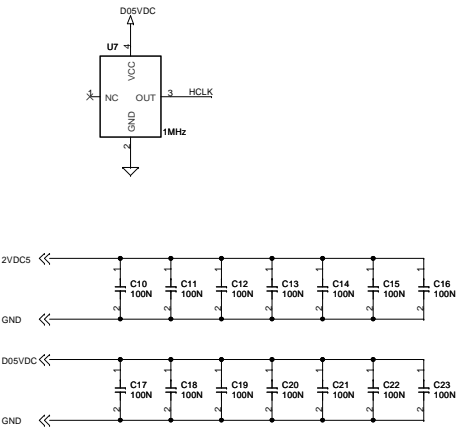
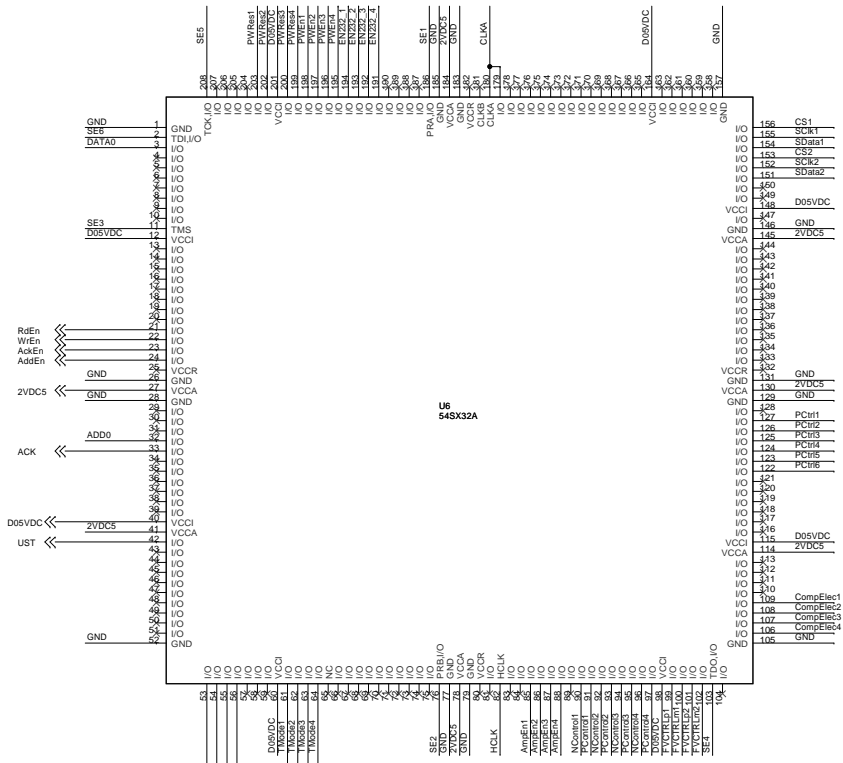
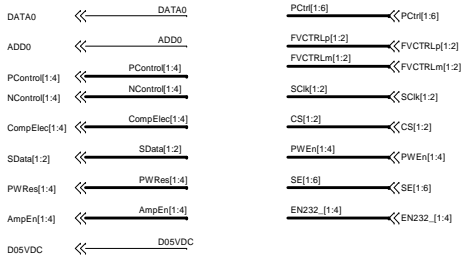
C

B

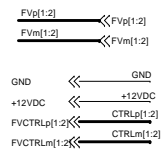
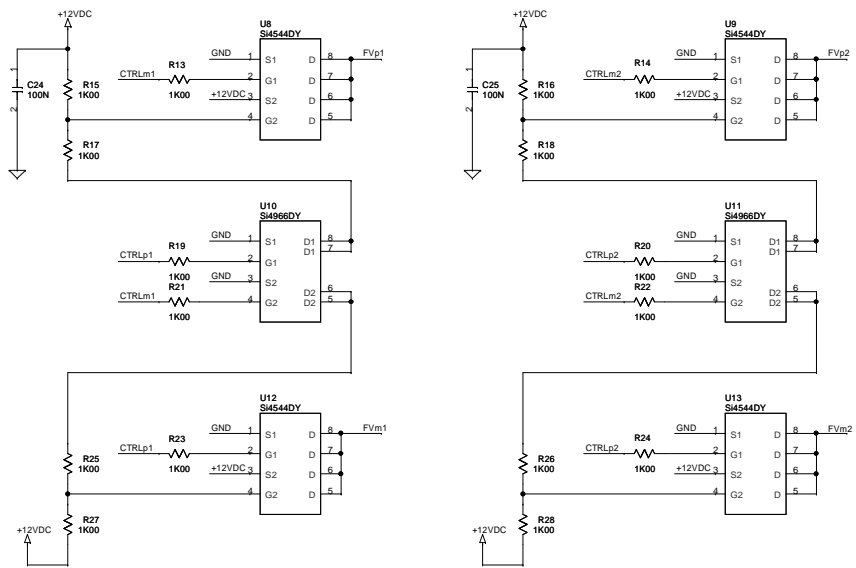
B

A

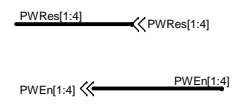
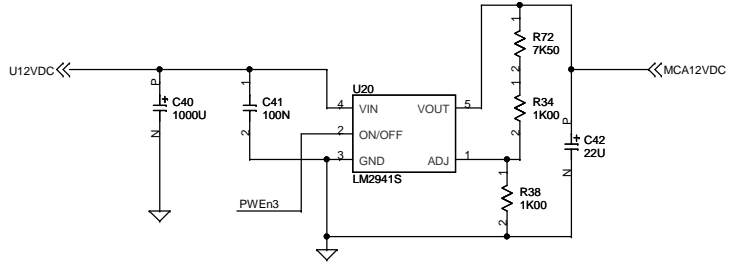
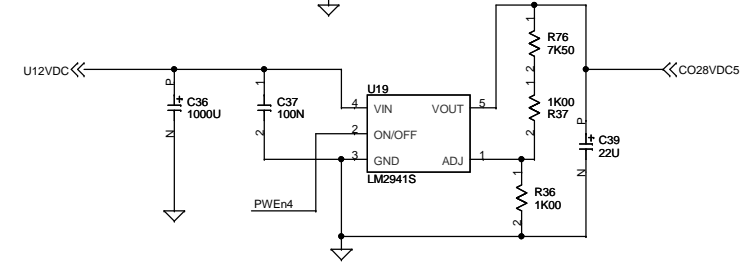
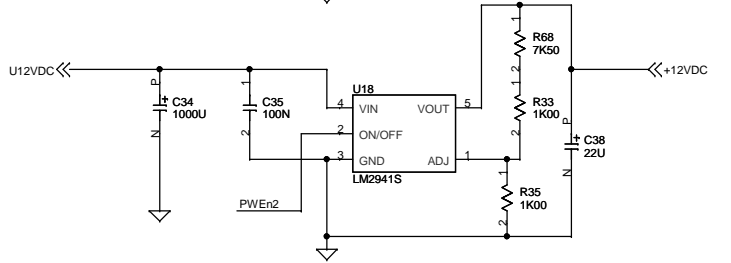
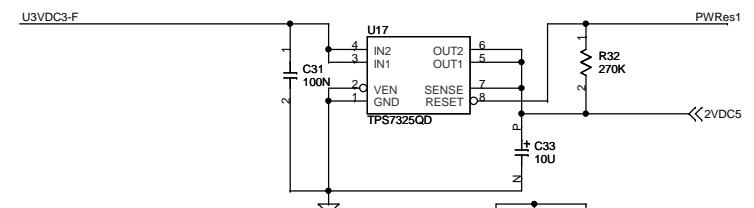
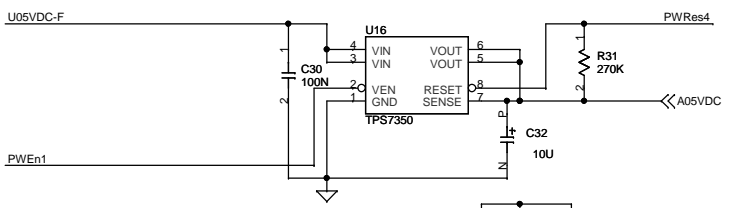
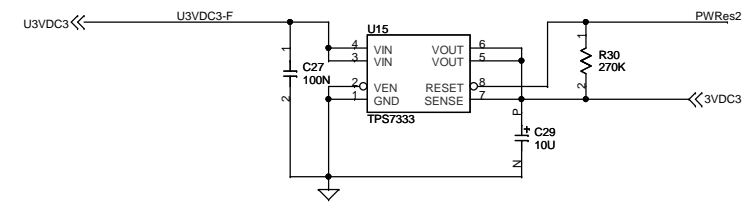
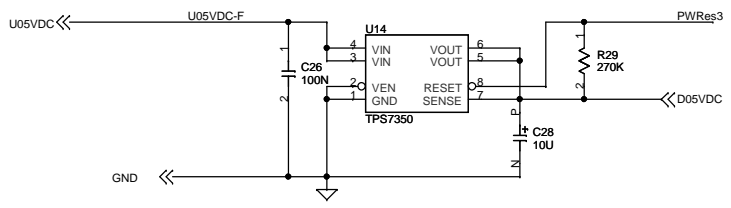
A



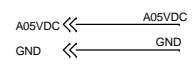
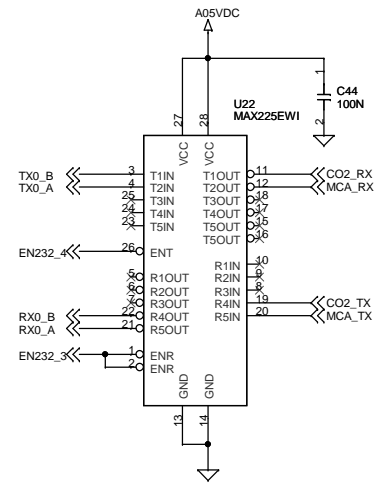
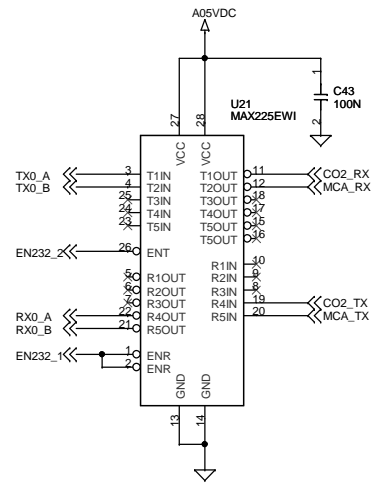
G & A Engineering		
Title UGBC - FPGA		
Size A3	Document Number 28305101A34ELTD	Rev D
Date: Friday, March 31, 2006	Sheet 5	of 11



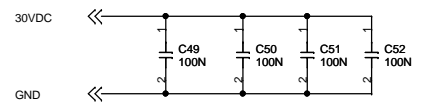
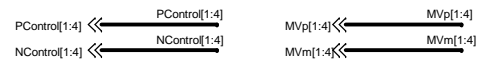
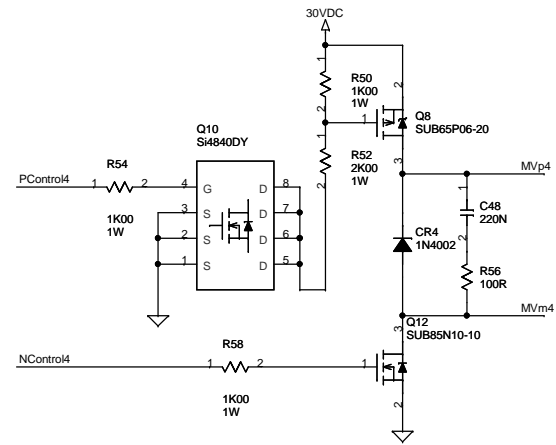
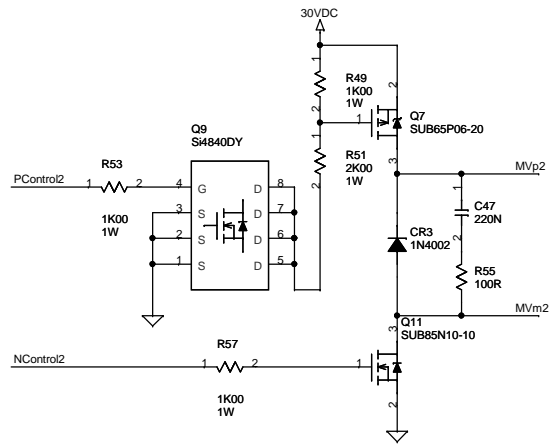
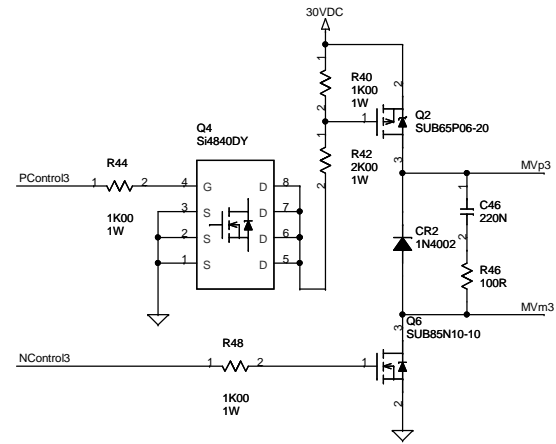
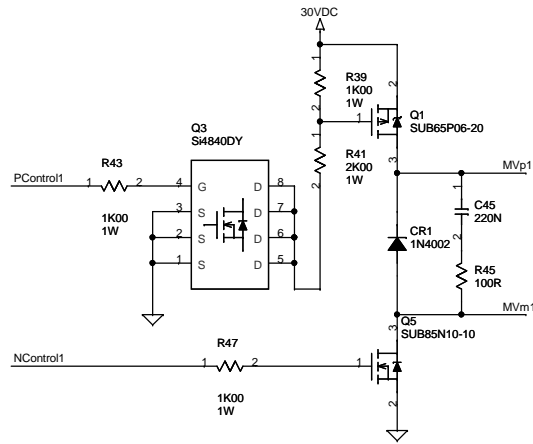
G & A Engineering		
Title UGBC - FV		
Size A3	Document Number 28305101A34ELTD	Rev D
Date: Friday, March 31, 2006	Sheet 6 of 11	



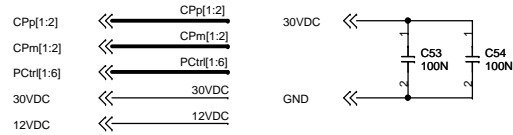
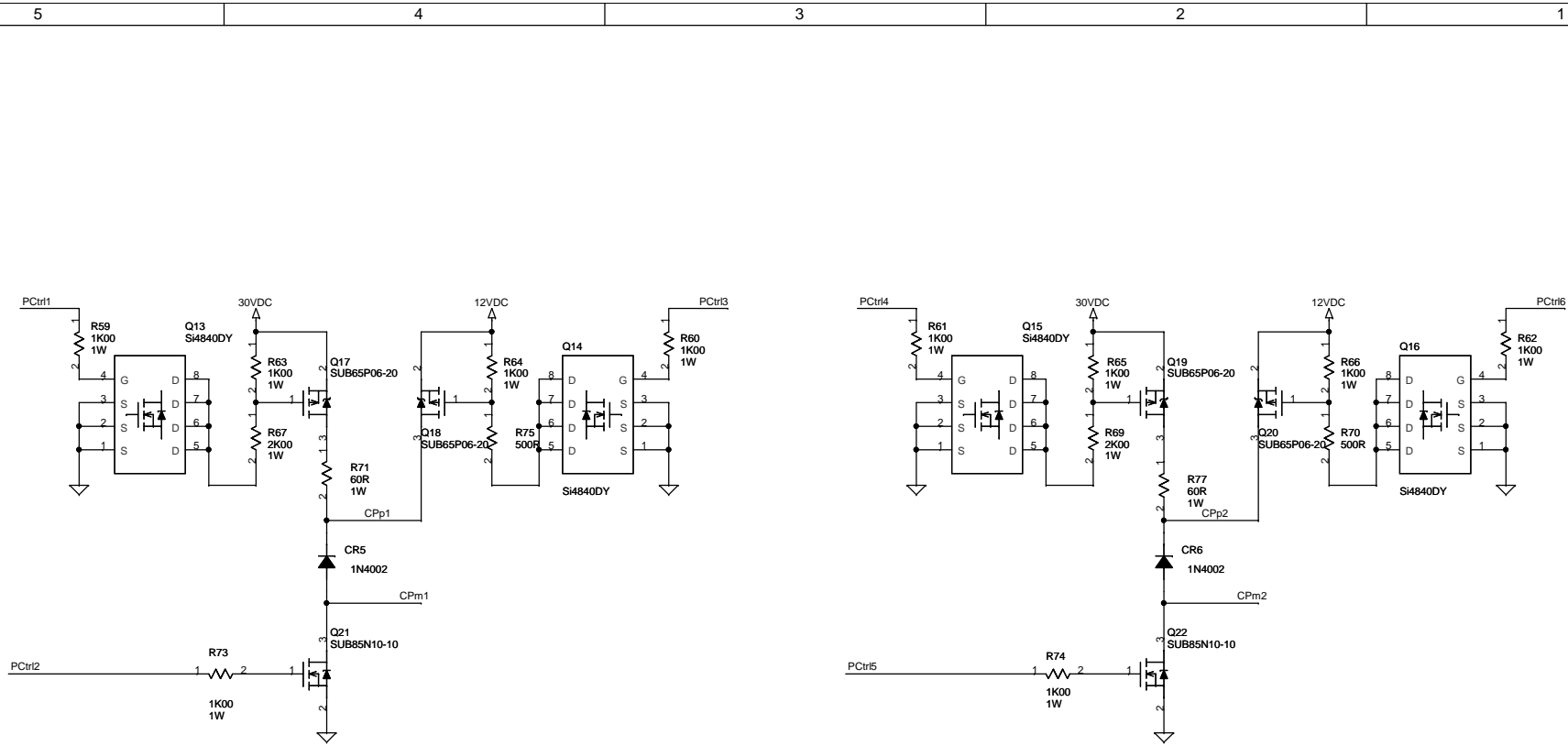
G & A Engineering		
Title UGBS - POWER		
Size A3	Document Number 28305101A34ELTD	Rev D
Date: Friday, May 05, 2006	Sheet 7 of 11	



G & A Engineering		
Title UGBC - RS232		
Size A3	Document Number 28305101A34ELTD	Rev D
Date: Friday, March 31, 2006	Sheet 8 of 11	



G & A Engineering		
Title UGBC - MVCL 4		
Size A3	Document Number 28305101A34ELTD	Rev D
Date: Friday, March 31, 2006	Sheet 9	of 11



G & A Engineering		
Title UGBC - PUMPCL2		
Size A3	Document Number 28305101A34ELTD	Rev D
Date: Friday, March 31, 2006	Sheet 10	of 11

