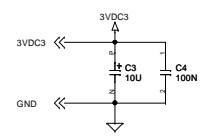
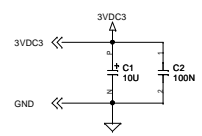
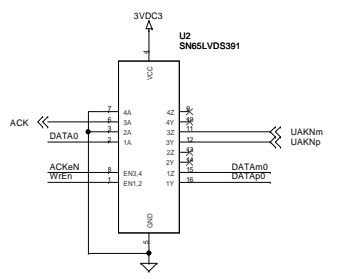
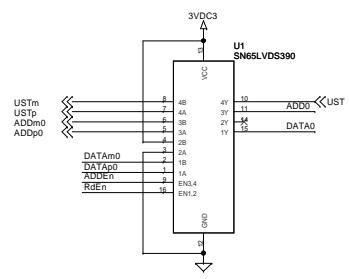
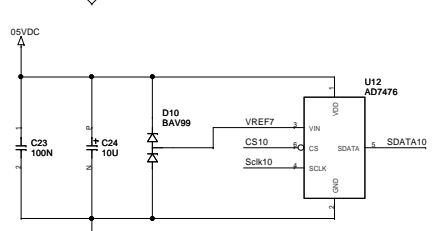
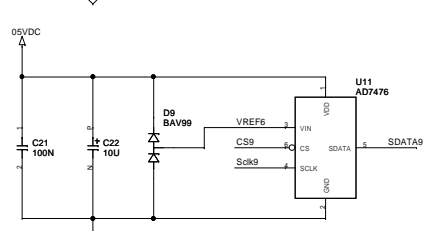
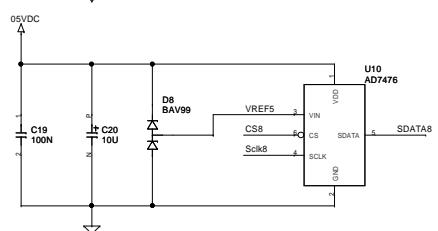
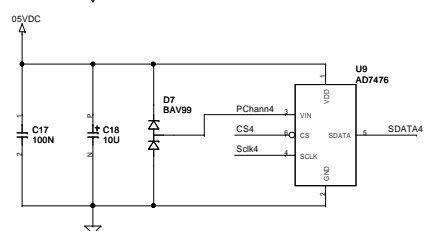
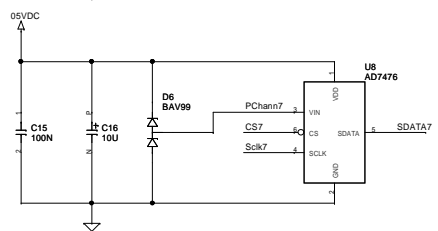
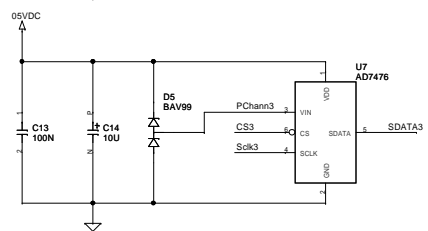
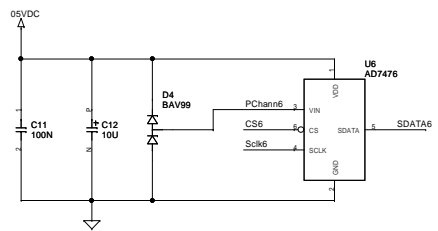
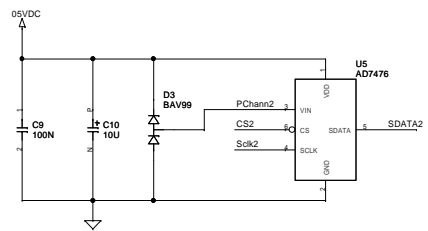
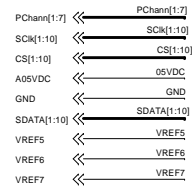
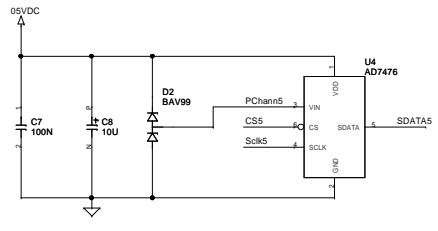
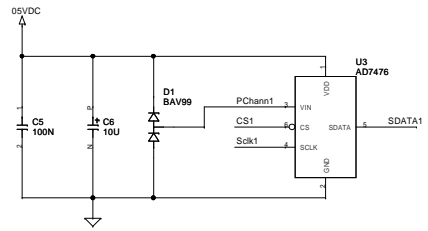


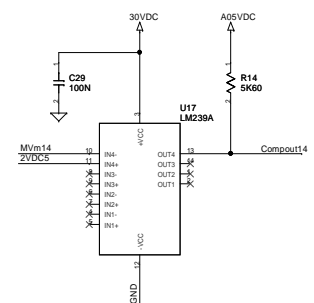
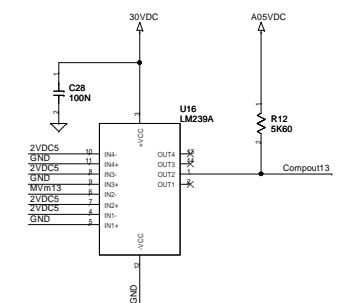
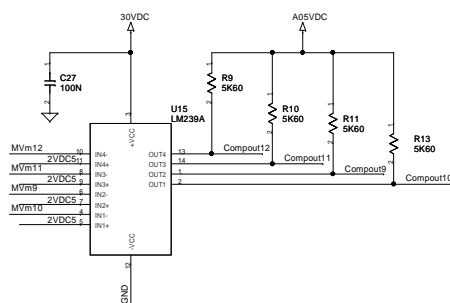
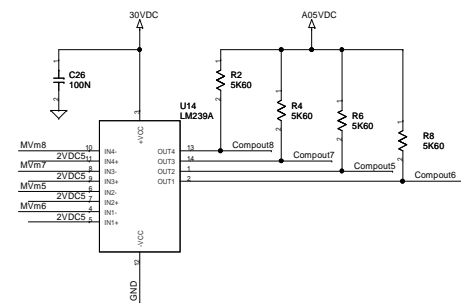
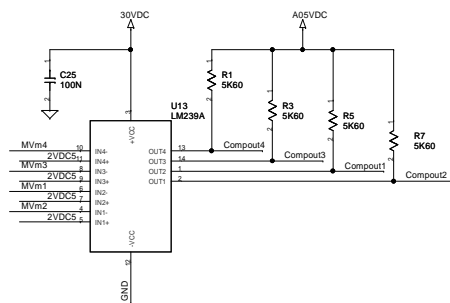
G & A Engineering		
Title UGBS - Connettori VME		
Size A3	Document Number 28304901A32ELTD	Rev D
Date: Wednesday, April 05, 2006	Sheet 1	of 10



G & A Engineering		
Title UGBS - IOIN		
Size A3	Document Number 28304901A32ELTD	Rev D
Date: Wednesday, April 05, 2006	Sheet 2 of 10	

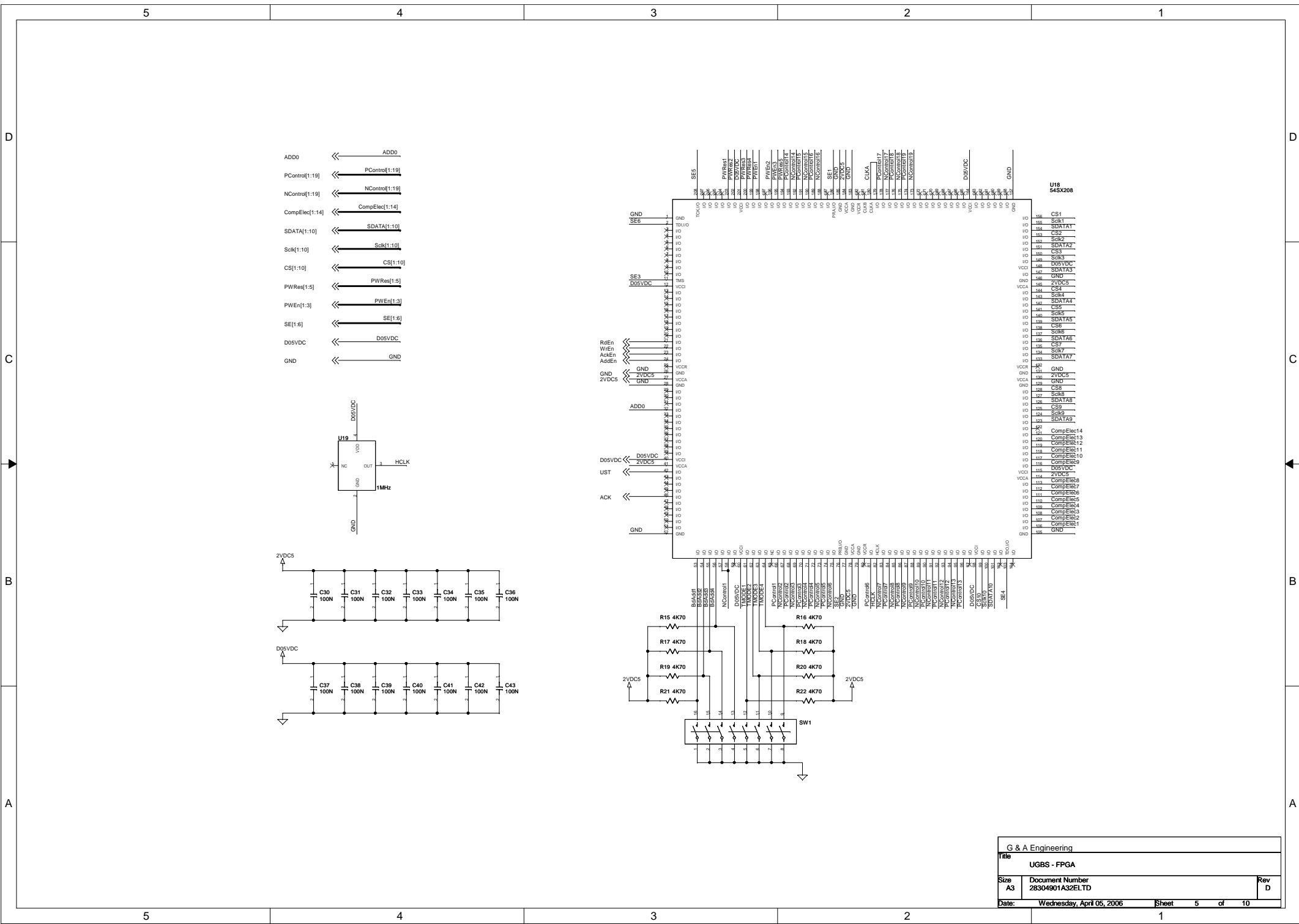


G & A Engineering		
Title UGBS - AD-8		
Size A3	Document Number 28304901A32ELTD	Rev D
Date: Wednesday, April 05, 2006	Sheet 3 of 10	

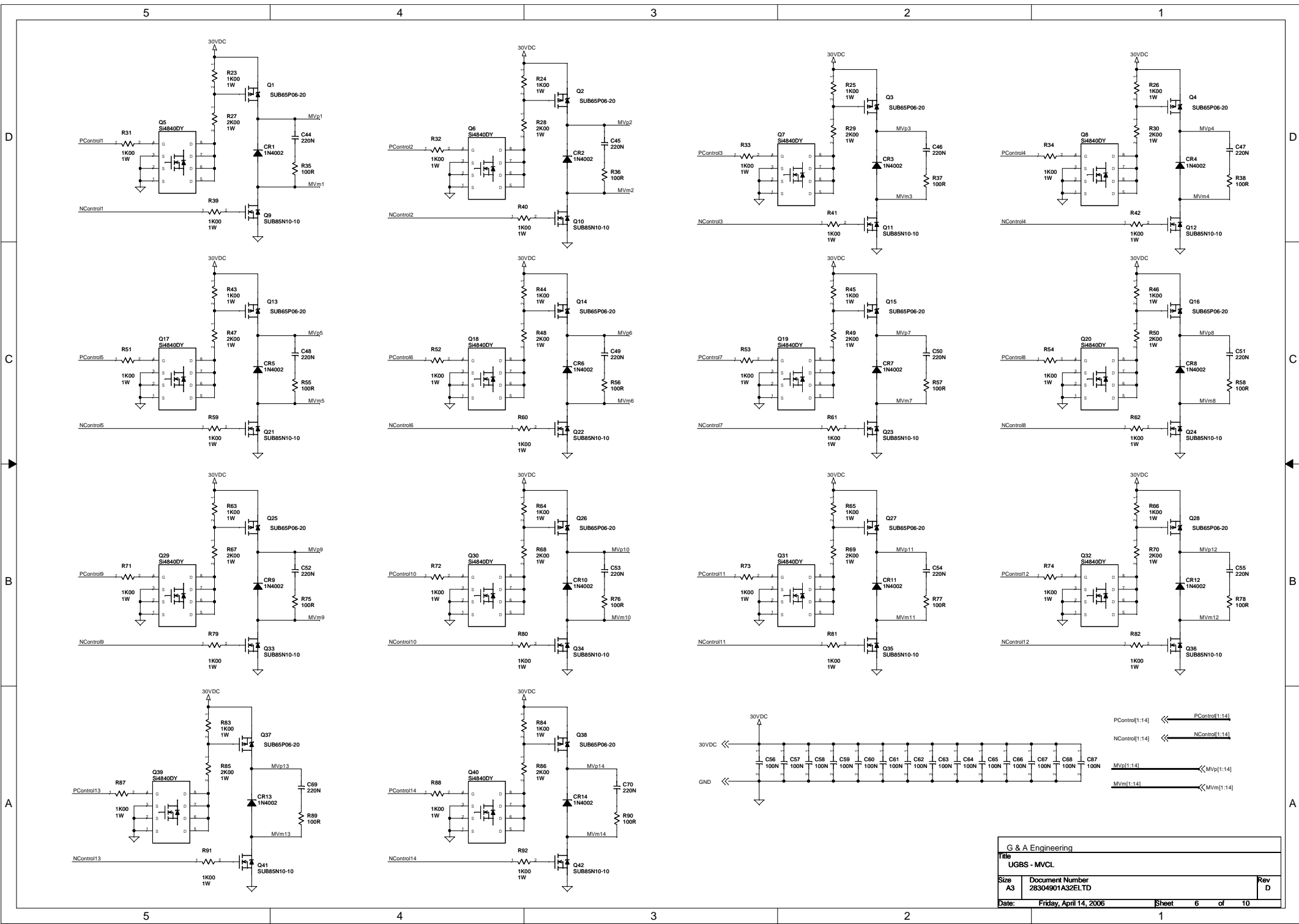


- CompElec[1:14] << Compout[1:14]
- 2VDC5 << 2VDC5
- MVm[1:14] << MVm[1:14]
- 30VDC << 30VDC
- GND << GND
- CompElec[1:13] << COMPOUT[1:13]
- A05VDC << A05VDC

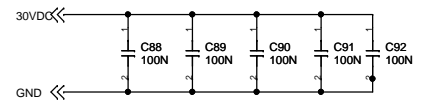
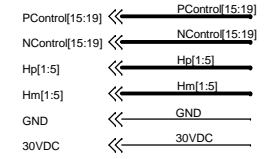
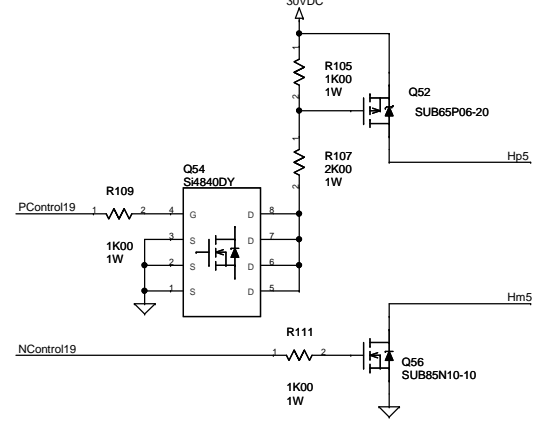
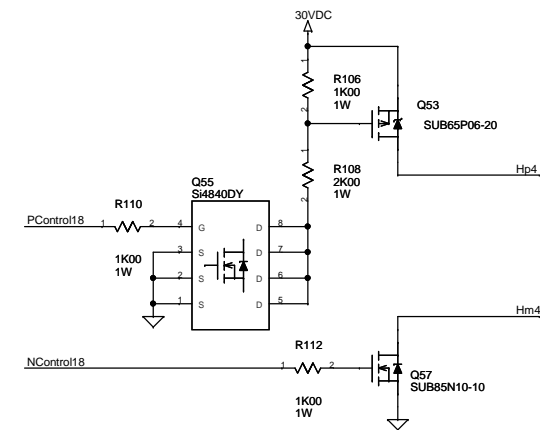
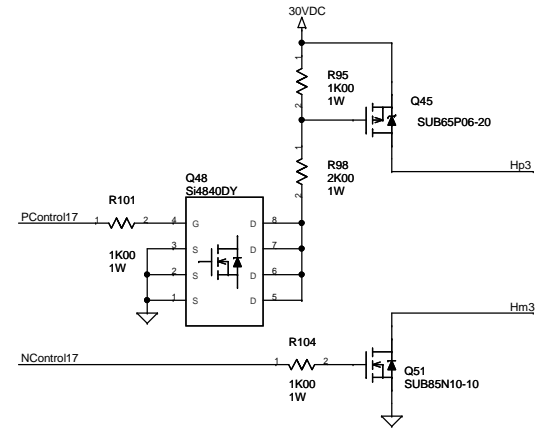
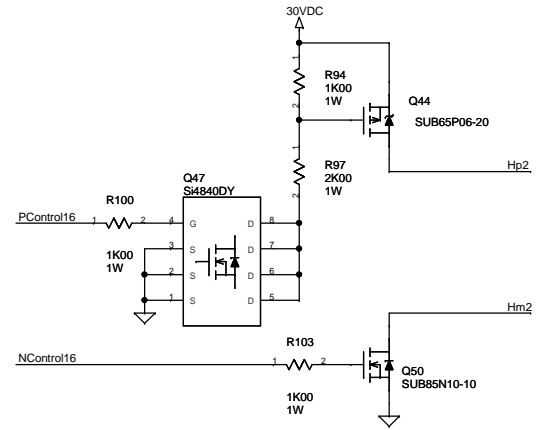
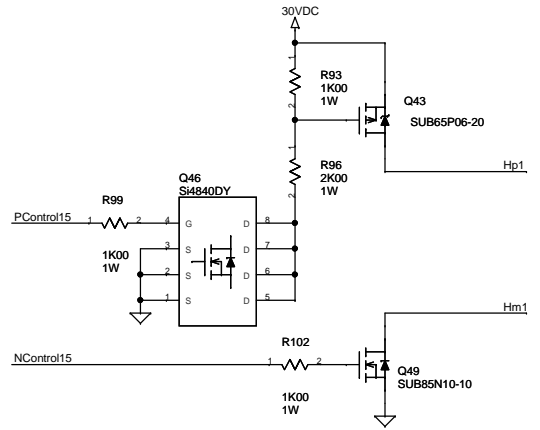
G & A Engineering		
Title UGBS - COMPARATORE		
Size A3	Document Number 28304901A32ELTD	Rev D
Date: Wednesday, April 05, 2006	Sheet 4	of 10



G & A Engineering		
Title UGBS - FPGA		
Size A3	Document Number 28304901A32ELTD	Rev D
Date: Wednesday, April 05, 2006	Sheet 5	of 10



G & A Engineering		
Title UGBS - MVCL		
Size A3	Document Number 28304901A32ELTD	Rev D
Date: Friday, April 14, 2006	Sheet 6	of 10



Title UGBS - HCL		
Size A3	Document Number 28304901A32ELTD	Rev D
Date: Friday, April 14, 2006	Sheet 7 of 10	

5

4

3

2

1

D

D

C

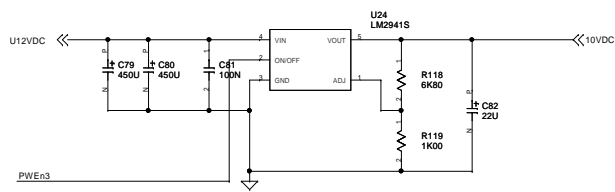
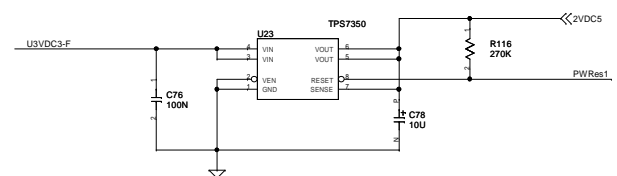
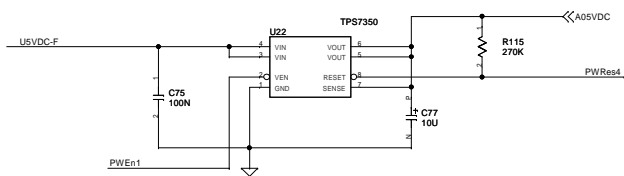
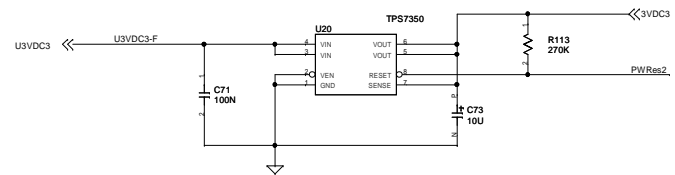
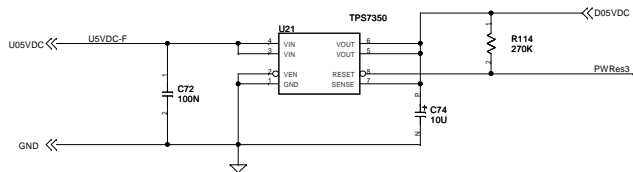
C

B

B

A

A



PWRes1:5 ← PWRes1:5

PWEEn1:3 ← PWEEn1:3

D05VDC ← D05VDC

A05VDC ← A05VDC

DS05VDC ← DS05VDC

5

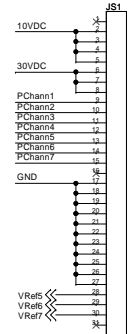
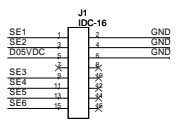
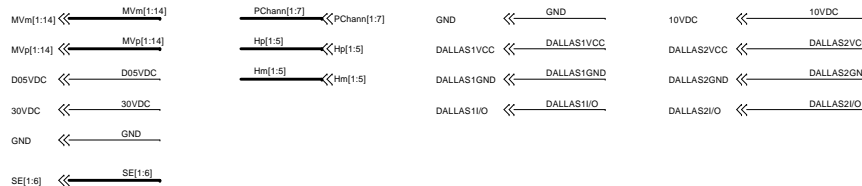
4

3

2

1

G & A Engineering		
Title UGBS - POWER		
Size A3	Document Number 28304901 A32ELTD	Rev D
Date: Friday, May 05, 2006	Sheet 8	of 10



5

4

3

2

1

D

D

C

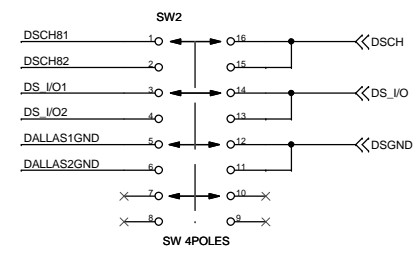
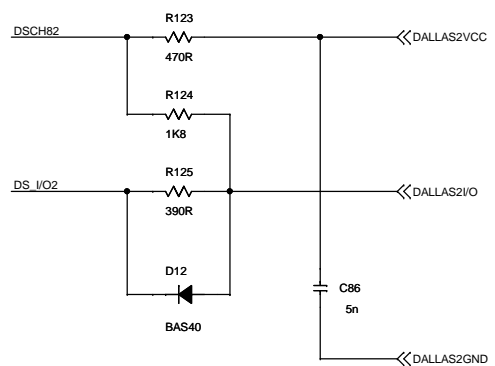
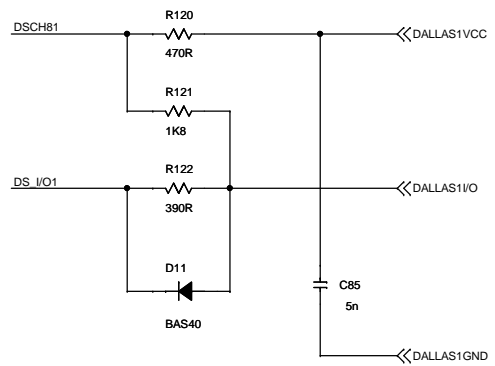
C

B

B

A

A



G & A Engineering			
Title UGBS - DALLAS SENSOR			
Size A3	Document Number 28304901 A32ELTD	Rev D	
Date: Wednesday, April 05, 2006	Sheet 10	of 10	

5

4

3

2

1