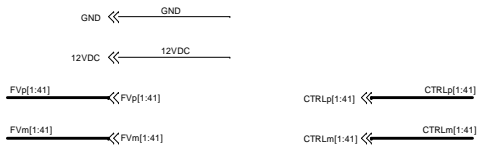
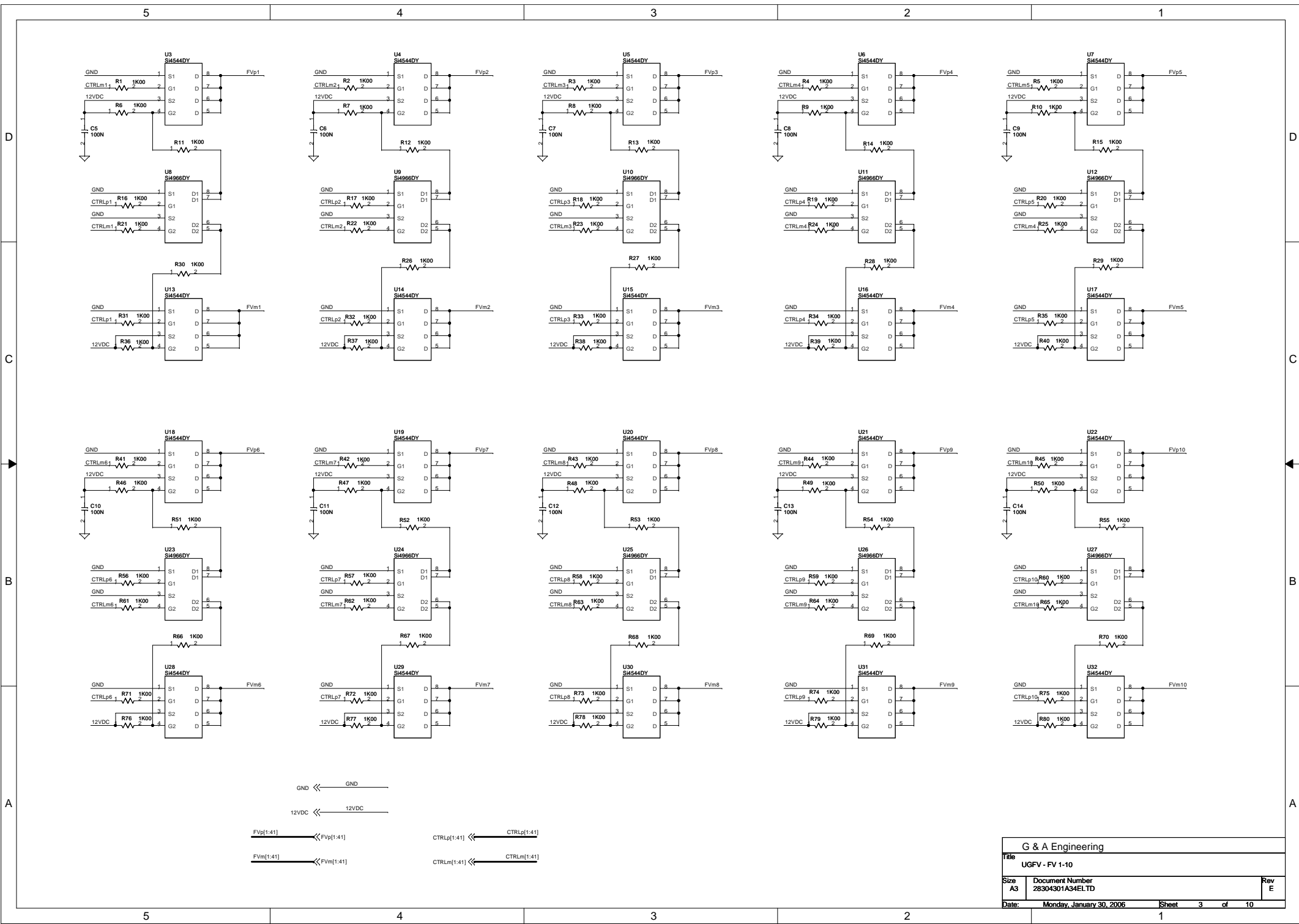
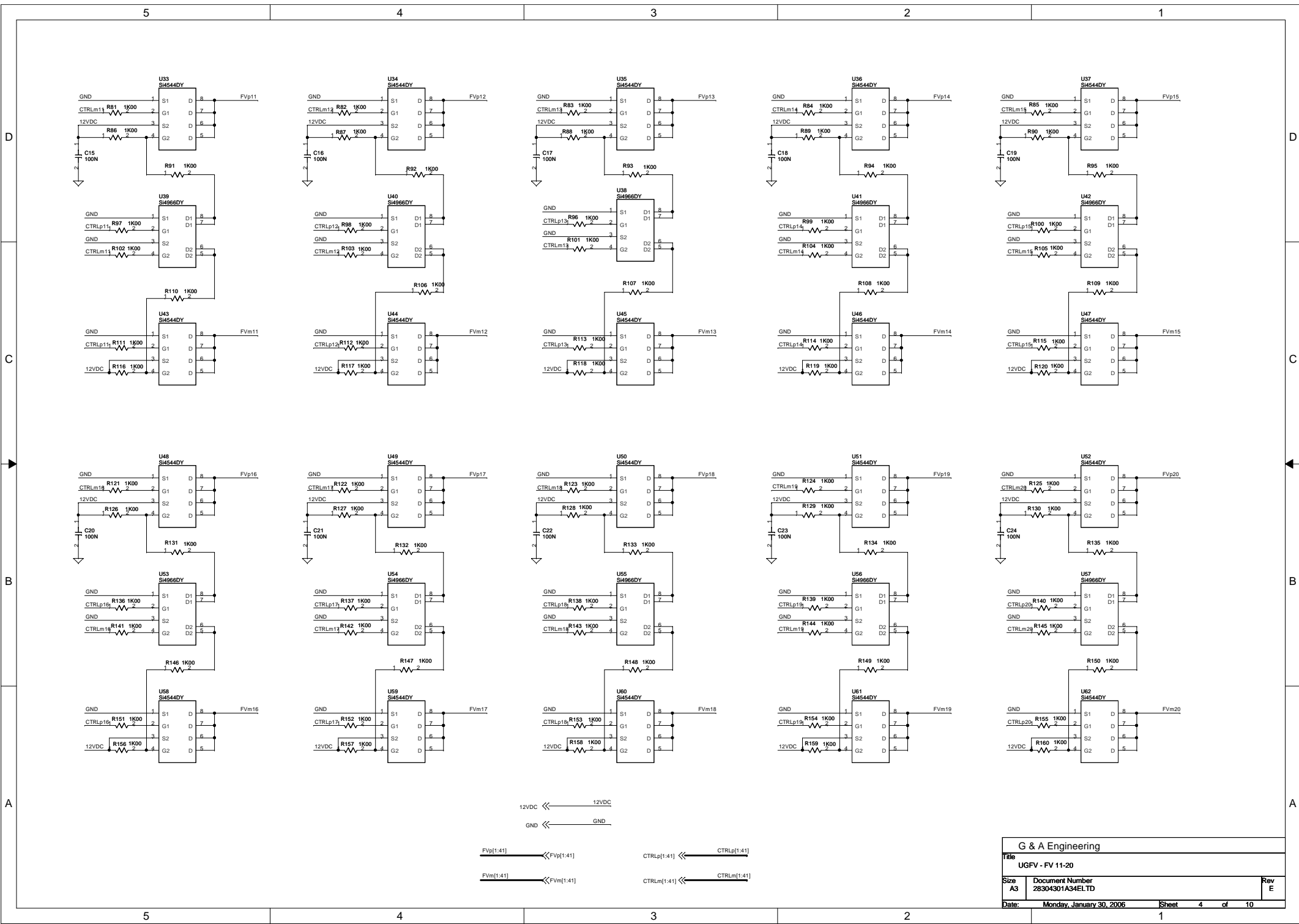


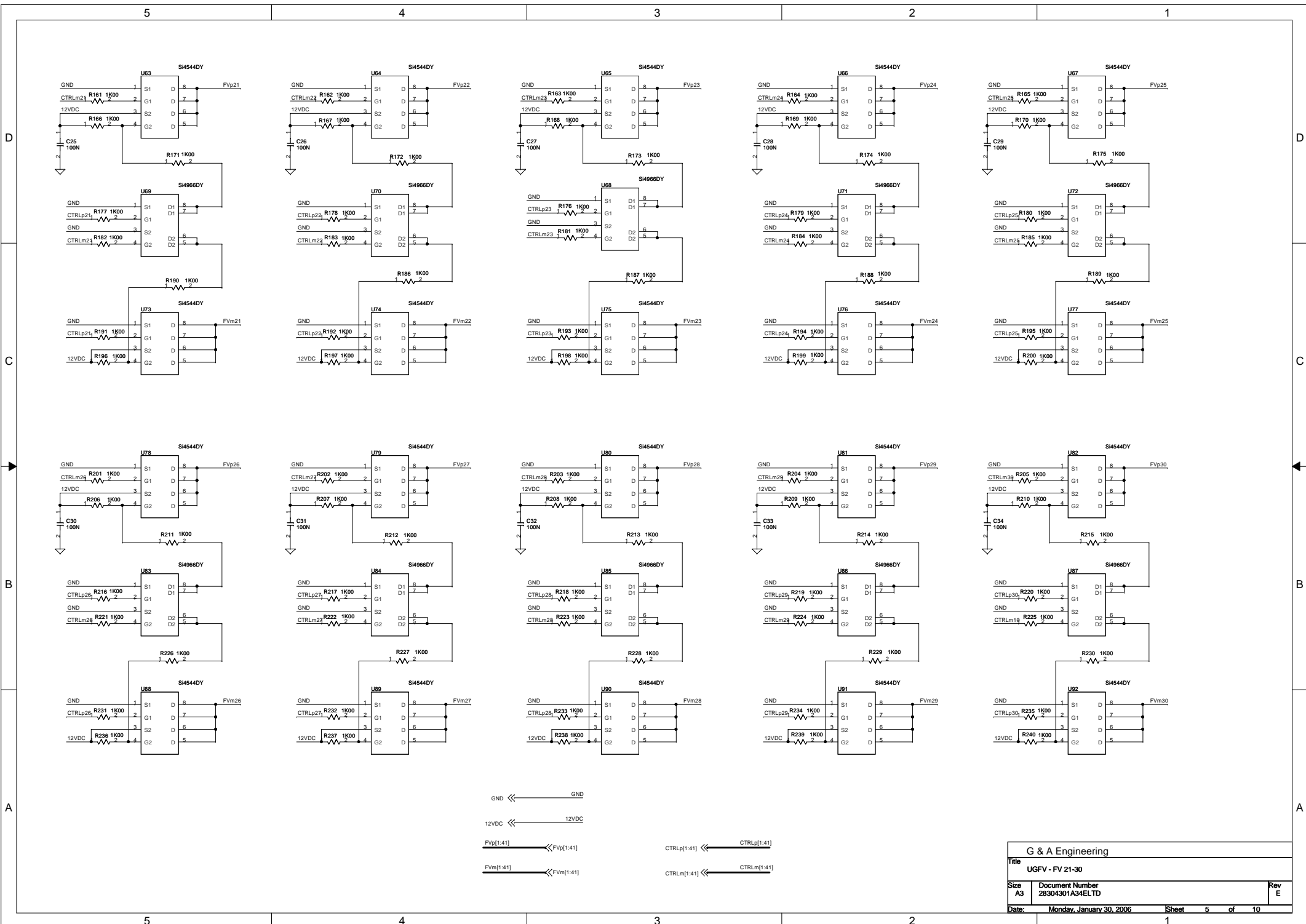
G & A Engineering		
Title	UGFV - IO INOUT	
Size	Document Number	Rev
A3	28304301A34ELTD	E
Date:	Monday, January 30, 2006	Sheet 2 of 10



G & A Engineering		
Title UGFV - FV 1-10		
Size A3	Document Number 28304301A34ELTD	Rev E
Date: Monday, January 30, 2006	Sheet 3	of 10



G & A Engineering		
Title UGFV - FV 11-20		
Size A3	Document Number 28304301A34ELTD	Rev E
Date: Monday, January 30, 2006	Sheet 4	of 10



G & A Engineering		
Title UGFV - FV 21-30		
Size A3	Document Number 28304301A34ELTD	Rev E
Date: Monday, January 30, 2006	Sheet 5	of 10

D

D

C

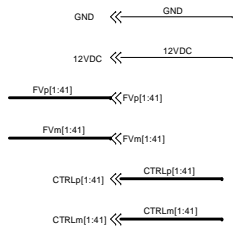
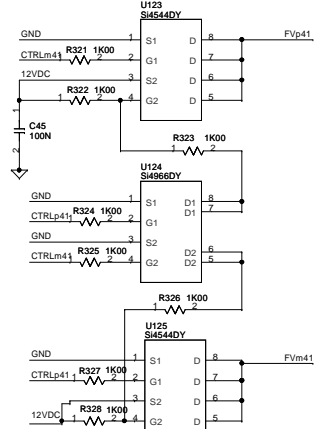
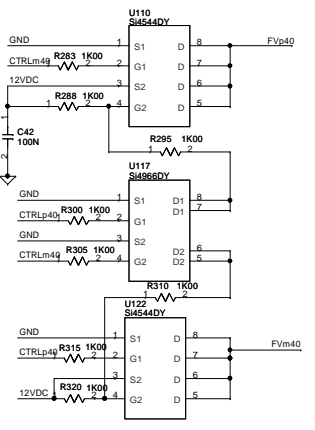
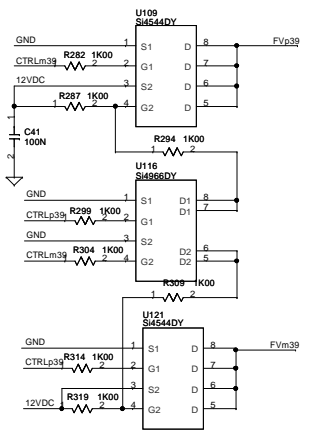
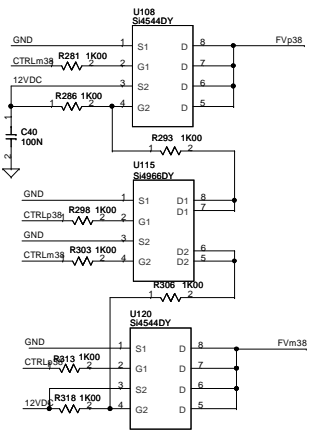
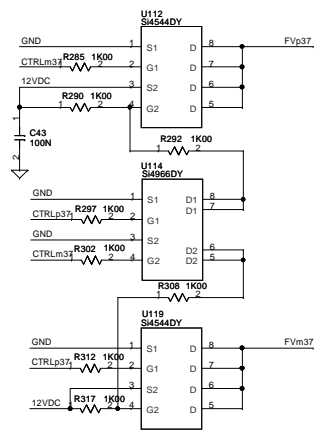
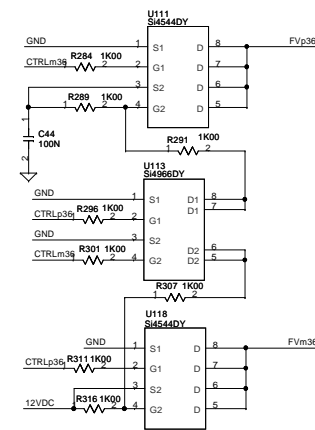
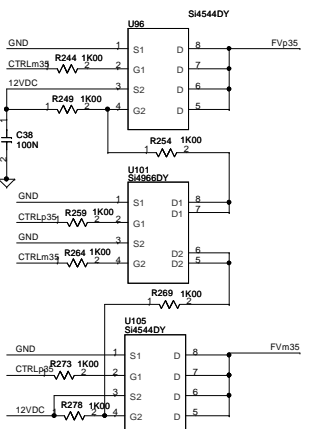
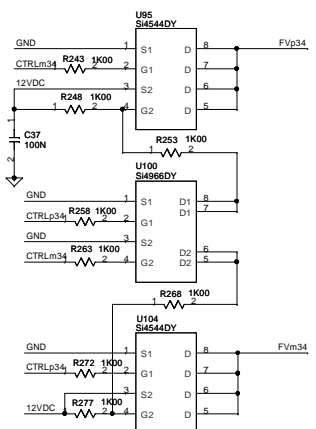
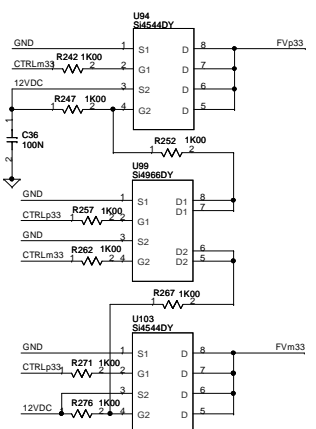
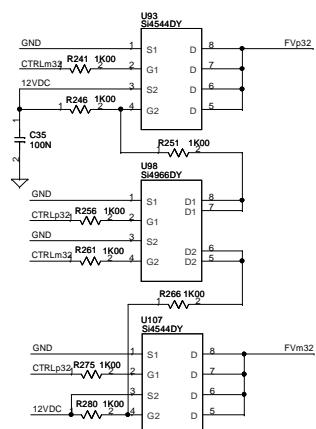
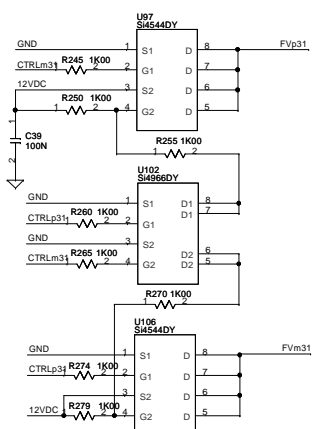
C

B

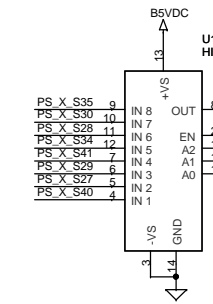
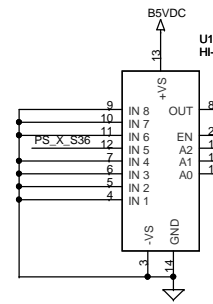
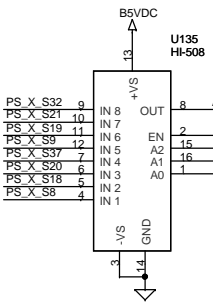
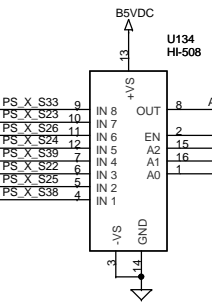
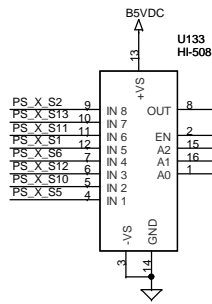
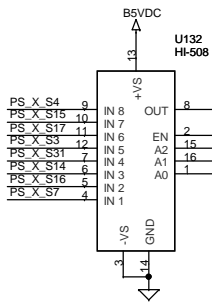
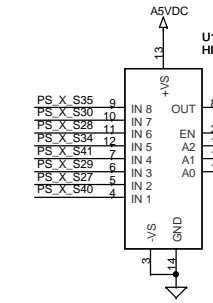
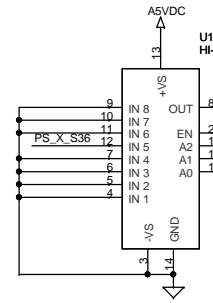
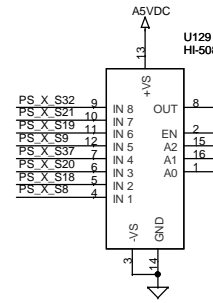
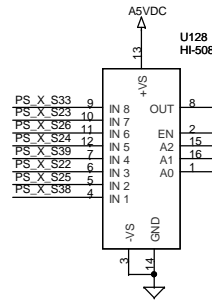
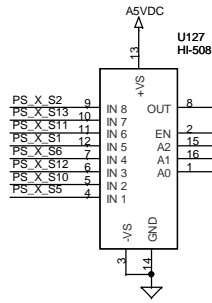
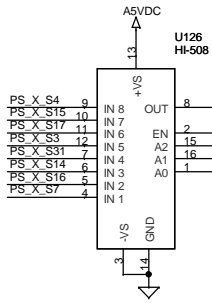
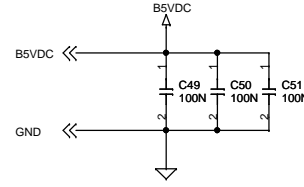
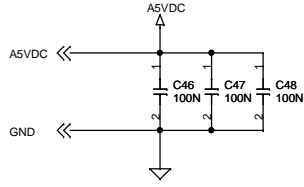
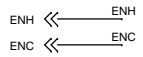
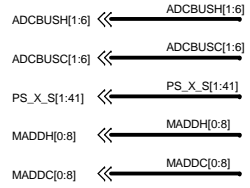
B

A

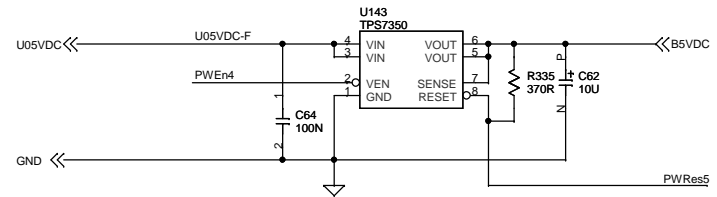
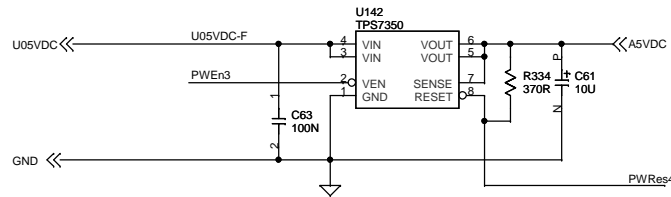
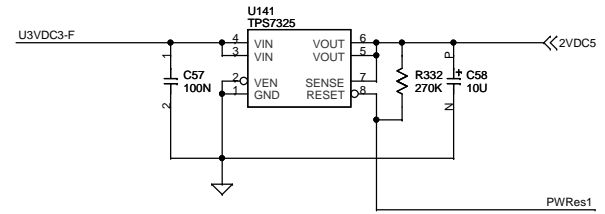
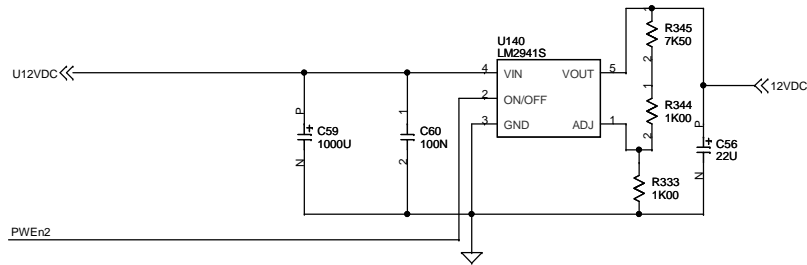
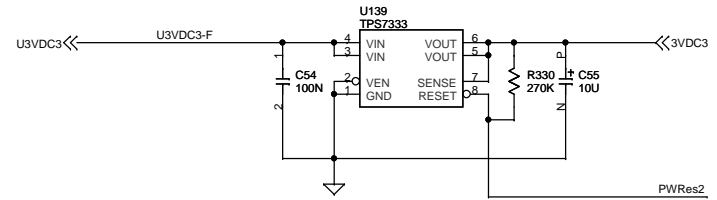
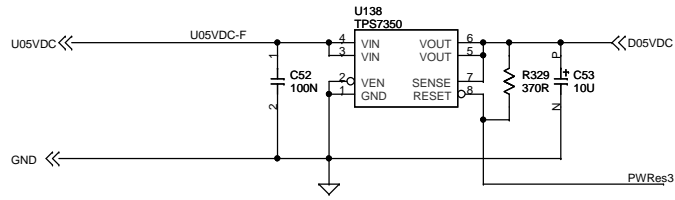
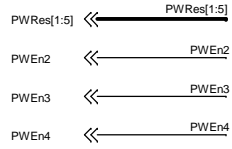
A



G & A Engineering		
Title	UGFV - FV 31-41	
Size	Document Number	Rev
A3	28304301A34ELTD	E
Date:	Monday, January 30, 2006	Sheet 6 of 10



Title		
UGFV - MUX		
Size	Document Number	Rev
A3	28304301A34ELTD	E
Date:	Monday, January 30, 2006	Sheet 7 of 10

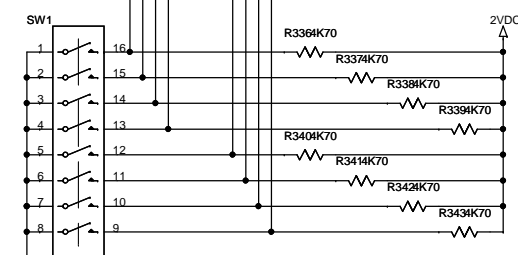
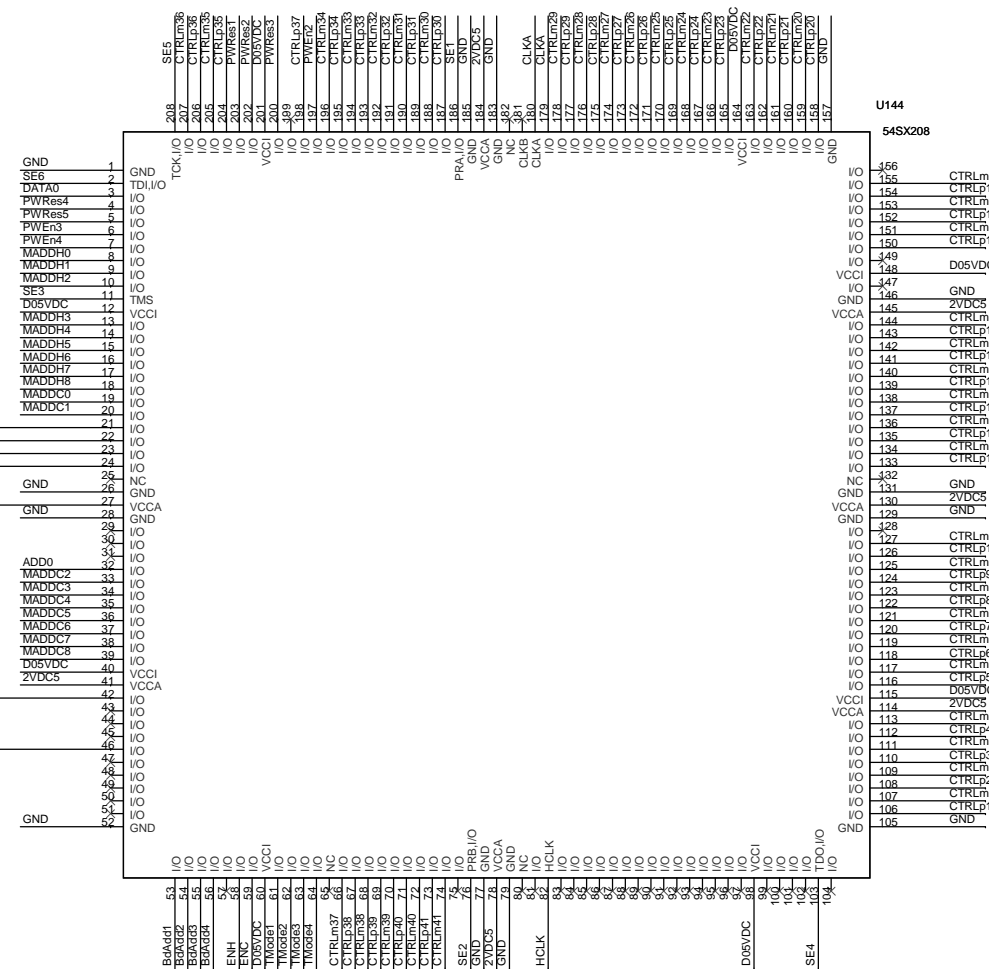
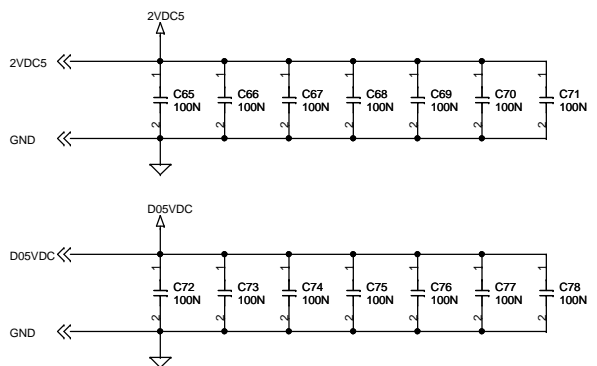
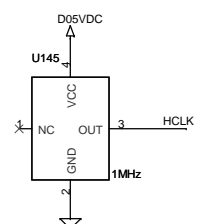
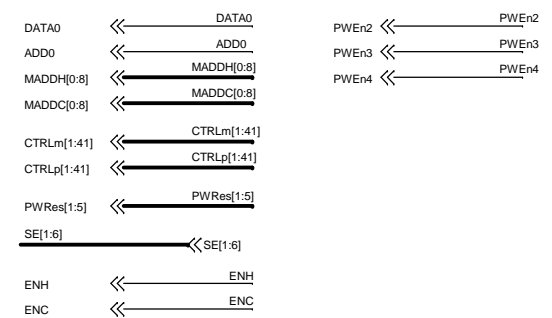


D

C

B

A



D

D

C

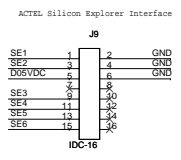
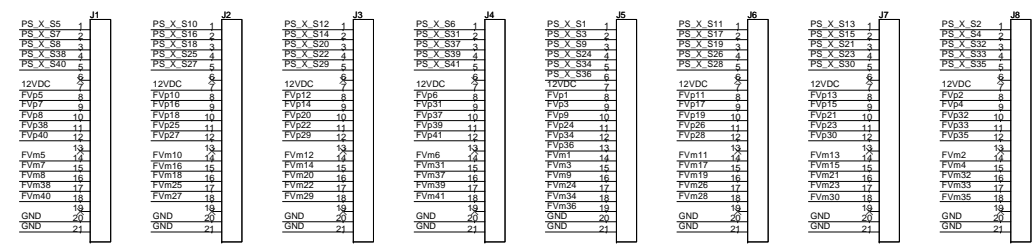
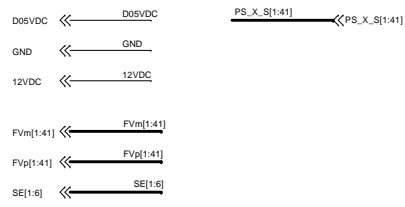
C

B

B

A

A



G & A Engineering		
Title	UGFV - CONN-OUT	
Size	Document Number	Rev
A3	28304301A34ELTD	E
Date:	Monday, January 30, 2006	Sheet 10 of 10